

Data Sheet - Diode Laser DL-975-250

Fiber coupled diode laser module with emission wavelength 975 nm
(Data sheet rev. 1.1, 2024-02-06)

Table of contents:

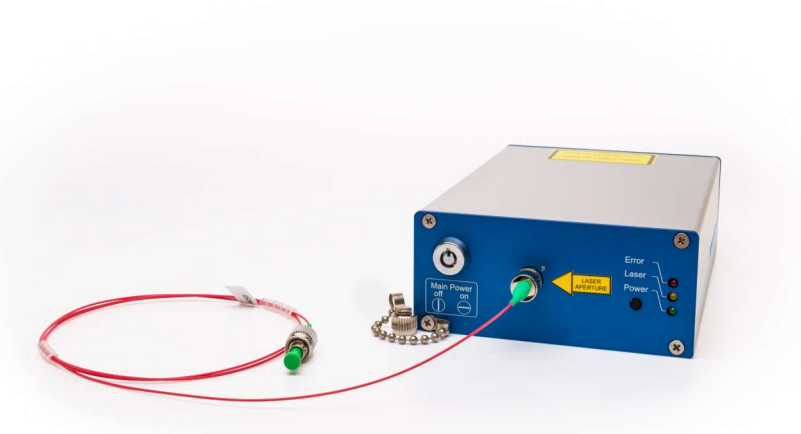
1. Diode laser description.....	1
2. DL-975 applications.....	1
3. Diode laser parameters.....	2
4. Dimension and Weight.....	3
5. Included Accessories.....	4

1. Diode laser description

The Diode Laser Module DL-975 provides a ready-to-use, single mode, fiber coupled, CW laser with a FBG stabilized wavelength of 975 nm. The integrated laser diode is temperature stabilized and delivers a maximum output power of 250 mW. All fibre applications can be connected with the FC/APC port on the frontside of the device.

The DL-975 can be used

- In combination with control software and PC for custom access via USB port
- In stand alone mode at fixed output power without additional software control (PC required only for initialization)



Fibre not included

2. DL-975 applications

Possible applications of the DL-975-250 can be

- Pumping fibre laser
- Metrology
- Telecommunication

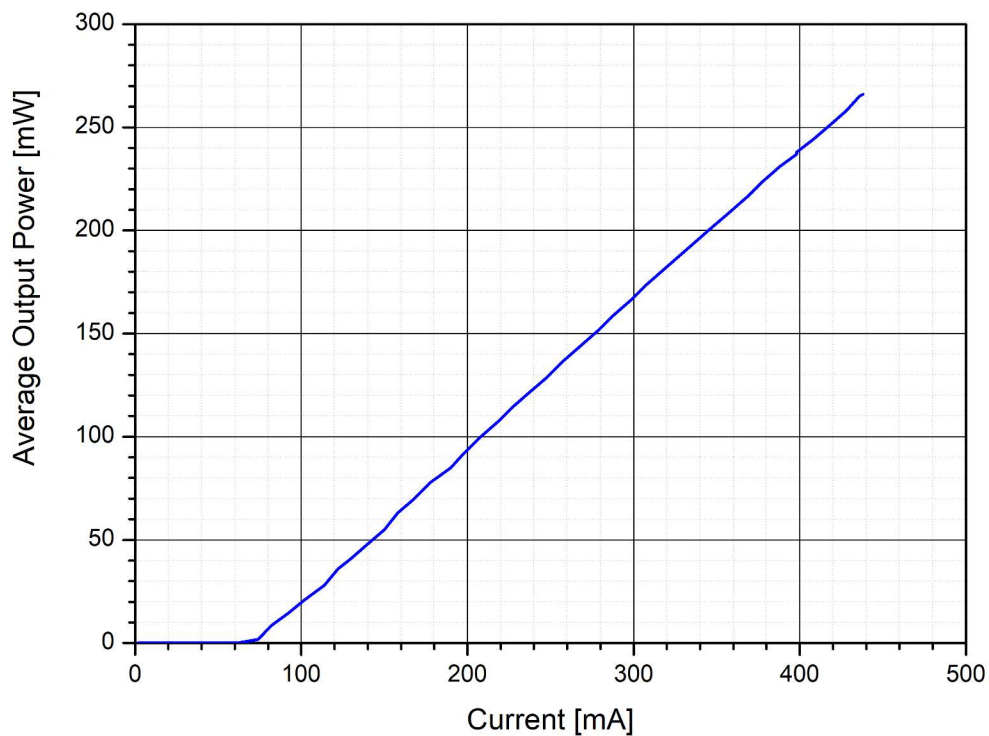
3. Diode laser parameters

Parameter (@25 °C)	minimum	typical	maximum	unit
Laser emission wavelength	975	976	977	nm
Spectral width		0.5	1.0	nm
Spectral shift		20		pm/K
output power		200	250	mW
Power Variation over 24h		1.2%		100mW Diode

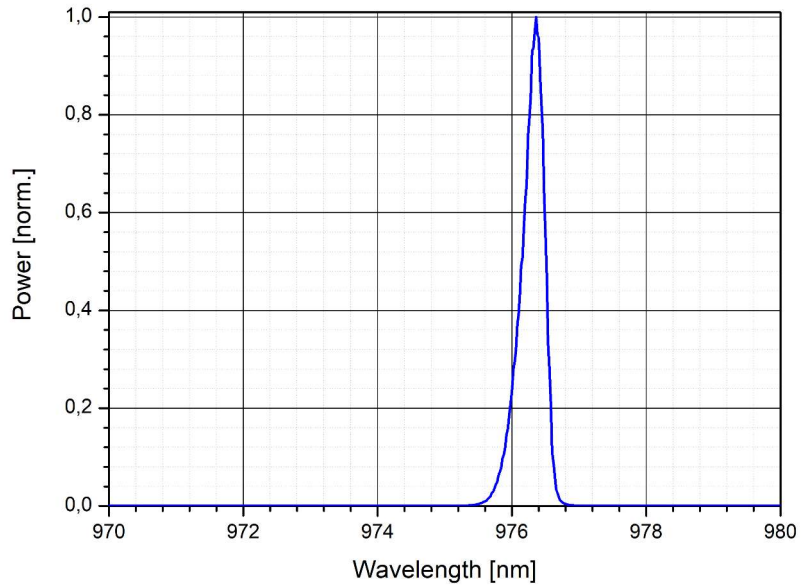
Other Features

- A Laptop or PC with Win 10 or higher, one USB port and LabVIEW drivers are required for full operation mode
- other configurations concerning output power and wavelength available, for example:
 - output power: 100 mW, 500 mW, 750 mW
 - wavelength [nm]: 808, 830, 850, 940, 1030, 1060, 1080, 1240, 1300, 1460, 1550
- Please ask for your preferred configuration!

Typical Output Power

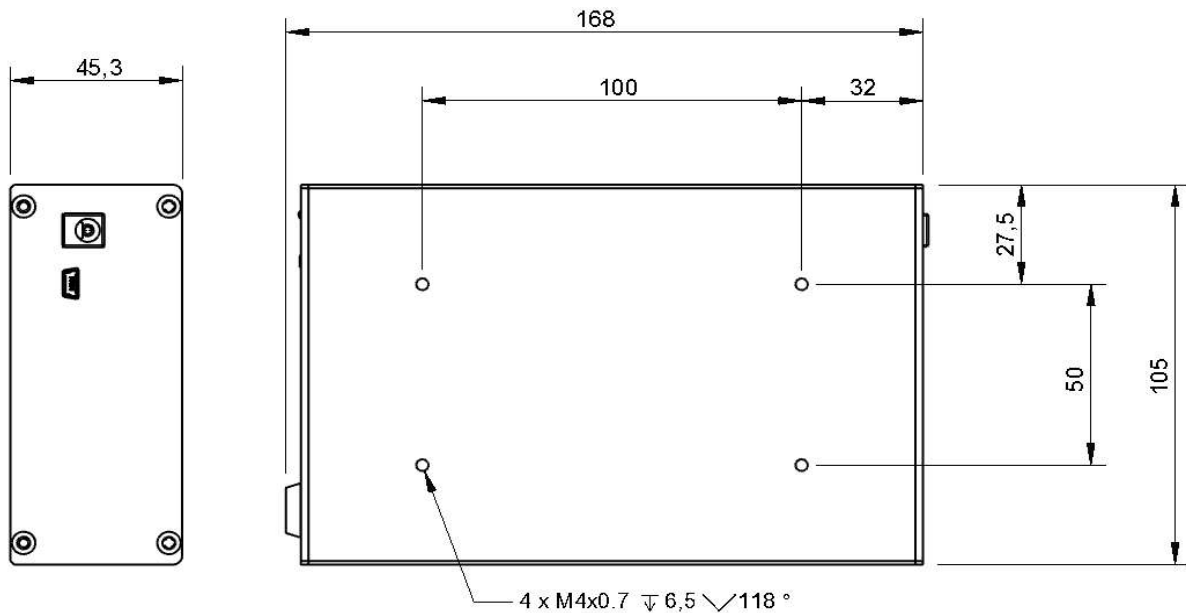


Output Spectrum



4. Dimension and Weight

Dimension:



Weight: 835 g (without external Power supply)

5. Included Accessories

- External power supply, 110 – 230 V, output 24W
- USB-cable
- Key
- User manual
- Control software

6. Contact details

If you have any further questions or remarks, please do not hesitate to contact us.

BATOP GmbH
Stockholmer Straße 14
D-07747 Jena
Germany

e-mail: info@batop.de

Tel.: +49 3641 634009 0

